

Kelvion



Sanitary Plate Heat Exchangers

NT150L SYBC FRAME



The NT plate is the most technologically advanced heat transfer plate with features for efficient processing of all products, including those with high viscosities and fouling tendencies.

PosLoc™—Heat transfer plates have multiple lead-ins that ensure self-alignment of the plate pack for ease in closing. This feature reduces downtime when servicing the unit.

EcoLoc™—Adhesive-free gasket attachment makes replacement a snap. A special design keeps gaskets in place even after several service cycles.

OptiWave™—Computer-modeled heat transfer area design provides even flow distribution across the entire plate surface, maximizing heat transfer while minimizing fouling rates, plate count, and cost.

The NT150L SYBC is a stainless steel clad frame design with 6" ports, the largest ports available for sanitary frames. These larger ports allow for lower overall pressure drops for both product and CIP. The larger plate, port size and frame length make this the optimal solution for high flow rate sanitary applications.

NT150L Sanitary Frame Features

- Meets 3-A Sanitary Standards
- Max design pressure 225 psig (15.5 barg)
- Max flow rate 1540 gpm (350 m³/hour)
- Heavy duty cladding with 150 grit blast finish
- 6" tri-clamp connections, 316 stainless steel
- #4 finish on all 8 ports (for restream flexibility)
- Frame lengths for up to 780 plates available
- Grids available for multi-section designs
- ASME code stamp available

NT150L Sanitary Frame: Technical Data

MATERIALS AND CONSTRUCTION:

Frame Lengths: 7 standard lengths for a maximum of 780 plates

Individual Plate Weight: 4.58 kg/10.08 lb

Mounting Feet: Adjustable ball foot, + 0.75" (+ 19 mm) total adjustment

Frame Plate Material: Stainless steel cladding on carbon steel core

Frame Surface: 150 grit bead blasted stainless steel

Upper Beam: 304 stainless steel I-beam

Lower Beam: 304 stainless steel round bar

Tightening Bolt Material: SA-193 B8 stainless steel with C464 Naval Brass Nut

Standard Connections: 6" tri-clamp, 316 stainless steel polished to #4 finish, other connections are available

Codes: Meets 3-A sanitary standard. ASME code stamp available

Port Height: Dimensions shown are for standard frame and high leg frame

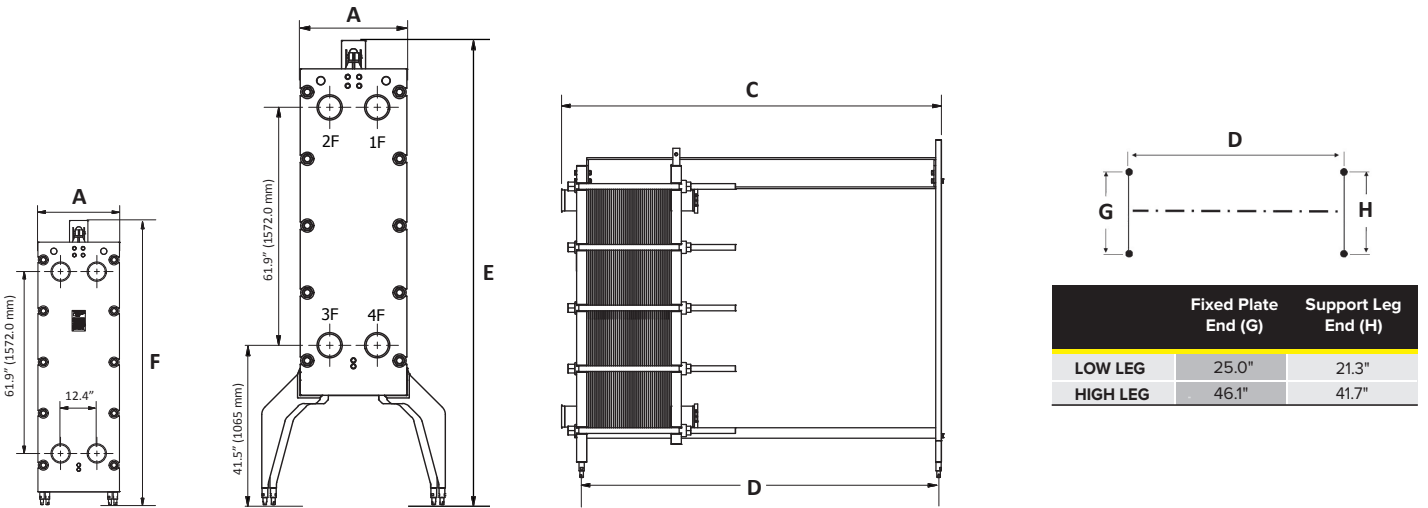
PERFORMANCE:

Maximum Standard Design Pressure: 225 psig (15.5 barg)

Maximum Standard Design Temperature: dependent on gasket selection

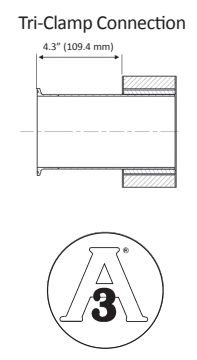
Heat Transfer Plate: 0.6mm, 316L Stainless Steel as standard, Titanium, Hastelloy, 904L, SMO254, and others are available

Gasket: FDA and 3-A compatible NBR, EPDM, Viton and others are available



	Fixed Plate End (G)	Support Leg End (H)
LOW LEG	25.0"	21.3"
HIGH LEG	46.1"	41.7"

Model	Tightening Bolt Qty	Max Plate Count	Max Plate Pack Thickness	Net Weight (No Plates)		Pressure Plate Width (A)	Overall Length (C)	Footprint Length (D)	High Leg Height (E)	Low Leg Height (F)
				Standard	High					
NT150L	10	150	22.0"	4196 lbs	4433 lbs	27.8"	61.6"	55.0"	120.8"	96.8"
		267	39.3"	4359 lbs	4596 lbs		85.2"	78.6"	120.8"	96.8"
		383	56.5"	4523 lbs	4760 lbs		108.8"	102.3"	120.8"	96.8"
		481	70.9"	4867 lbs	5104 lbs		128.5"	121.9"	121.6"	97.6"
		578	85.3"	5015 lbs	5252 lbs		148.2"	141.6"	121.6"	97.6"
		675	99.6"	5197 lbs	5434 lbs		167.8"	161.3"	121.6"	97.6"
		780	114.0"	5306 lbs	5543 lbs		187.5"	181.0"	121.6"	97.6"



*Data is based on 0.6 mm flow plates

The specifications contained in this printing are intended only to serve the non-binding description of our products and services and are not subject to guarantee. Binding specifications, especially pertaining to performance data and suitability for specific operating purposes, are dependent upon the individual circumstances at the operation location and can, therefore, only be made in terms of precise requests.

Kelvion Inc., PHE
 100 Gea Drive, York, PA 17406
 Phone: 717-268-6200
 Fax: 717-268-6162
 www.kelvion.com/us

About Kelvion:
 Kelvion provides one of the most extensive product portfolios in the heat exchange market worldwide for a wide range of applications. Kelvion manufactures plate, shell and tube, air-cooled heat exchangers, air filter systems, synthetic fillings for numerous areas of application, wet cooling towers and dry cooling systems, as well as air-conditioning facilities. As a result, Kelvion provides reliable and comprehensive coverage of the entire spectrum for heat exchange.

