

	Typ					Anleitung-Nr.	
	VT						
Food-Gestelle	VT	4	CDS	C	-	16	2
	VT	4	CDL	C	-	16	2
	VT	10	CDS	S	-	16	2
	VT	10	CDL	S	-	16	2
	VT	20	CDL	S	-	10	2
	VT	20	CDS	C	-	10	2
	VT	20	CDL	C	-	10	2
	VT	20	CDS	C	-	16	2
	VT	20	CDL	C	-	16	2
	VT	20	BC		-	10	1
	VT	20	BC		-	16	1
	VT	20	BC		-	25	1
	VT	40	CDL	S	-	10	2
	VT	40	CDS	C	-	6	2
	VT	40	CDL	C	-	6	2
	VT	40	CDS	C	-	16	2
	VT	40	CDL	C	-	16	2
	VT	40	BC		-	6	1
	VT	40	BC		-	16	1
	VT	40	BC		-	25	1
	VT	80	BC		-	6	1
	VT	80	BC		-	16	1
	VT	80	BC		-	25	1
	FA	159	BC		-	6	1
	FA	161	BC		-	6	1
	NT	50T	CDL	S	-	16	2
	NT	50M	CDL	S	-	16	2
	NT	50X	CDL	S	-	16	2
	NT	100M	CDL	C	-	16	2
	NT	100M	BC		-	16	1
	NT	100M	BC		-	25	1
NT	100X	CDL	C	-	10	2	
NT	100X	BC		-	10	1	
NT	100X	BC		-	25	1	
NT	150L	BC		-	10	5	
NT	150L	BC		-	25	5	
NT	250L	BC		-	10	5	
Optional							
Industrie-Gestelle	VT	4	CD		-	16	2
	VT	10	CDS		-	16	2
	VT	10	CDL		-	16	2
	VT	10	CDS		-	25	2
	VT	10	CDL		-	25	2
	VT	10	CDH		-	10	2
	VT	20	CDS		-	10	2
VT	20	CDL		-	10	2	

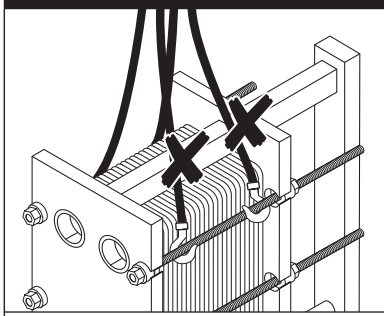
	Typ					Anleitung-Nr.	
	VT						
Industrie-Gestelle	VT	20	CDS	-	16	2	
	VT	20	CDL	-	16	2	
	VT	20	CDS	-	25	2	
	VT	20	CDL	-	25	2	
	VT	20	CDH	-	10	2	
	VT	20	B	-	10	3	
	VT	20	B	-	16	3	
	VT	20	B	-	25	1	
	VT	40	CDS	-	10	2	
	VT	40	CDL	-	10	2	
	VT	40	CDS	-	16	2	
	VT	40	CDL	-	16	2	
	VT	40	CDL	-	16	2	
	VT	40	CDS	-	25	2	
	VT	40	CDL	-	25	2	
	VT	40	CDH	-	10	2	
	VT	40	CDM	-	10	2	
	VT	40	B	-	10	3	
	VT	40	B	-	16	3	
	VT	40	B	-	25	3	
	N	40	CDL	-	10	2	
	N	40	CDL	-	16	2	
	N	40	B	-	10	3	
	N	40	B	-	16	3	
	VT	80	CDL	-	6	2	
	VT	80	CDL	-	10	2	
	VT	80	CDL	-	16	2	
	VT	80	B	-	6	3	
	VT	80	B	-	10	3	
	VT	80	B	-	16	3	
	VT	80	B	-	16	3	
	VT	80	B	-	25	3	
	VT	130	B	-	10	4	
	VT	130	B	-	16	4	
	VT	1306	B	-	10	4	
	VT	1306	B	-	16	4	
	VT	1309	B	-	10	4	
	VT	180	B	-	10	4	
	VT	180	B	-	16	4	
	VT	250	B	-	6	4	
	VT	250	B	-	10	4	
VT	2508	B	-	6	4		
VT	2508	B	-	10	4		
FA	159	B	-	6	3		
FA	161	B	-	6	1		
FA	184	CDL	-	6	2		
FA	184	B	-	6	3		
FA	192	B	-	6	4		
FA	192	B	-	8	4		

	Typ					Anleitung-Nr.	
	CT						
Industrie-Gestelle	CT	193	B	-	6	4	
	NT	50T	CDS	-	10	2	
	NT	50T	CDL	-	10	2	
	NT	50T	CDS	-	16	2	
	NT	50T	CDL	-	16	2	
	NT	50T	CDS	-	25	2	
	NT	50T	CDL	-	25	2	
	NT	50M	CDS	-	10	2	
	NT	50M	CDL	-	10	2	
	NT	50M	CDS	-	16	2	
	NT	50M	CDL	-	16	2	
	NT	50M	CDS	-	25	2	
	NT	50M	CDL	-	25	2	
	NT	50X	CDS	-	10	2	
	NT	50X	CDL	-	10	2	
	NT	50X	CDS	-	16	2	
	NT	50X	CDL	-	16	2	
	NT	50X	CDS	-	25	2	
	NT	50X	CDL	-	25	2	
	NT	100T	CDL	-	6	3	
	NT	100T	CDL	-	10	3	
	NT	100T	CDL	-	16	3	
	NT	100T	B	-	10	3	
	NT	100T	B	-	16	3	
	NT	100T	B	-	25	3	
	NT	100T	BT	-	10	3	
	NT	100T	BT	-	16	3	
	NT	100M	CDL	-	10	3	
	NT	100M	CDL	-	16	3	
	NT	100M	B	-	10	3	
	NT	100M	B	-	16	3	
	NT	100M	B	-	25	3	
	NT	100X	CDL	-	10	3	
	NT	100X	CDL	-	16	3	
	NT	100X	B	-	10	3	
	NT	100X	B	-	16	3	
	NT	100X	B	-	25	3	
	NT	100T	CFL	-	16	3	
	NT	100M	CFL	-	16	3	
	NT	100X	CFL	-	16	3	
	NT	150S	CD	-	6	3	
NT	150S	CD	-	10	3		
NT	150S	CD	-	16	3		
NT	150S	B	-	6	3		
NT	150S	B	-	10	3		
NT	150S	B	-	16	3		
NT	150S	B	-	25	3		

	Typ					Anleitung-Nr.	
	NT						
Industrie-Gestelle	NT	150S	BT	-	10	3	
	NT	150S	BT	-	16	3	
	NT	150L	CD	-	6	3	
	NT	150L	CD	-	10	3	
	NT	150L	CD	-	16	3	
	NT	150L	B	-	6	3	
	NT	150L	B	-	10	3	
	NT	150L	B	-	16	3	
	NT	150L	B	-	25	3	
	NT	150L	BT	-	10	3	
	NT	150L	BT	-	16	3	
	NT	150X	B	-	10	3	
	NT	150X	B	-	16	3	
	NT	150X	B	-	25	3	
	NT	250S	CD	-	6	2	
	NT	250S	CD	-	10	2	
	NT	250S	B	-	6	5	
	NT	250S	B	-	7	5	
	NT	250S	B	-	10	5	
	NT	250S	B	-	16	5	
	NT	250S	B	-	25	5	
	NT	250M	B	-	10	5	
	NT	250M	B	-	16	5	
	NT	250M	B	-	25	5	
	NT	250L	B	-	6	5	
	NT	250L	B	-	7	5	
	NT	250L	B	-	10	5	
	NT	250L	B	-	16	5	
	NT	250L	B	-	25	5	
	NT	350S	B	-	6	4	
	NT	350S	B	-	10	4	
	NT	350S	B	-	16	4	
	NT	350S	B	-	25	4	
	NT	350M	B	-	6	4	
	NT	350M	B	-	10	4	
	NT	350M	B	-	16	4	
	NT	350M	B	-	25	4	
NT	350L	B	-	6	4		
NT	350L	B	-	10	4		
NT	350L	B	-	16	4		
NT	350L	B	-	25	4		
NF	350	B	-	6	4		
NF	350	B	-	10	4		
NT	500T	B	-	10	5		
NT	500M	B	-	10	5		
NT	500X	B	-	10	5		

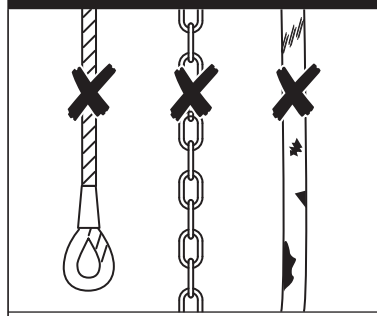
Instructions for transport and setting up of gasketed plate heat exchangers (PHE)

! DANGER



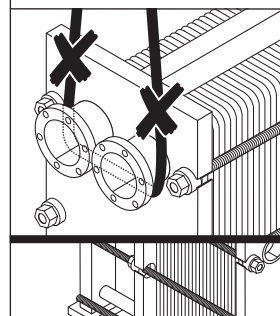
Danger to life if the load slips!
Always transport the PHE horizontally.
Never transport the PHE using the tensioning bolts.

! DANGER

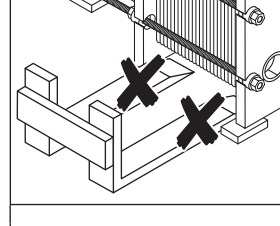


Danger to life if incorrect slinging equipment is used!
Never use steel hawsers or chains.
Use only undamaged round slings.

! ATTENTION

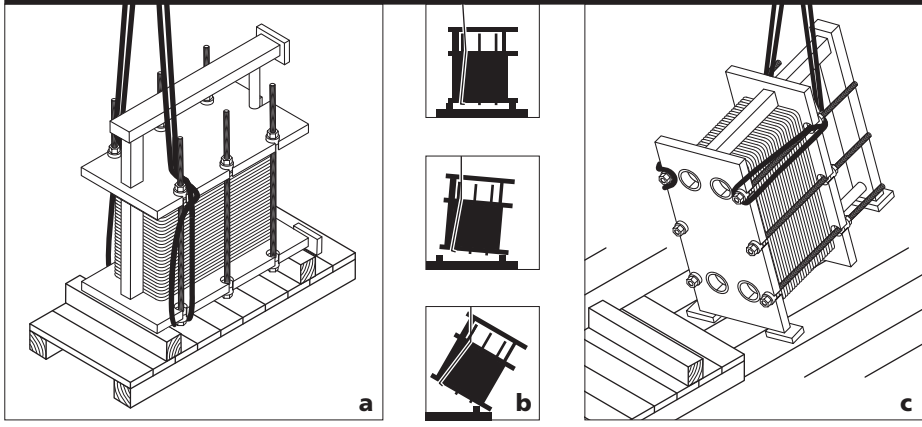


Damage to connection nozzles!
Never attach slinging equipment to the connection nozzles.



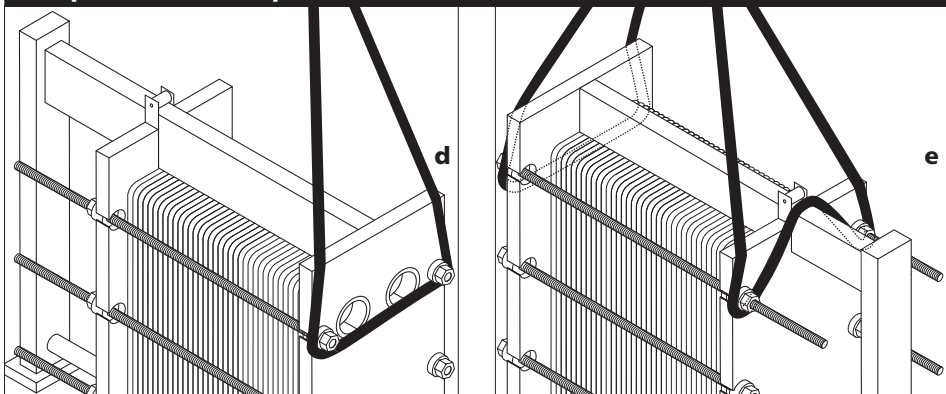
Damage to the heat exchanger plates!
Never transport the PHE using a lift-truck.
Always transport the PHE suspended.

Setting up the PHE



- Use two undamaged round slings of sufficient strength.
1. Place the round slings around both top pairs of tensioning nuts of the PHE **[a]** and attach these to the crane hook.
 2. Tilt the PHE through its centre of gravity **[b]** using lifting gear.
 3. Lower the PHE slowly to the floor **[c]** and set down in the correct position.

Suspended transport of the PHE



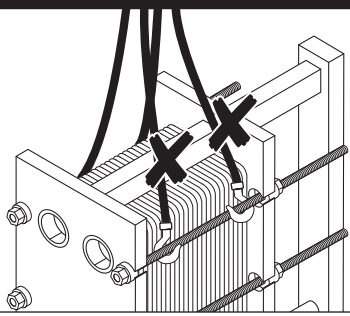
1. Attach a round sling to the fixed plate around the **top outer pairs of tensioning nuts [d]** – where the tensioning nuts project insufficiently, the round sling must be placed completely around the base plate.
2. Attach another round sling to the removable plate above the **beam** and around the **top outer pairs of tensioning nuts [e]**.
▶ **Please note:** When two round slings are used, these must be of different lengths!

- Lifting**
3. Lift the PHE slowly, until the round slings are equally tensioned and the PHE is suspended almost horizontally.
- Lowering**
4. Lower the PHE slowly to prevent any impact when it is set down.



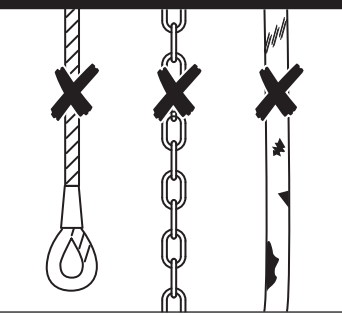
Instructions for transport and setting up of gasketed plate heat exchangers (PHE)

! DANGER



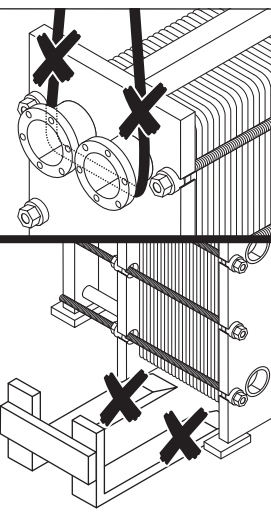
Danger to life if the load slips!
Always transport the PHE horizontally.
Never transport the PHE using the tensioning bolts.

! DANGER



Danger to life if incorrect slinging equipment is used!
Never use steel hawsers or chains.
Use only undamaged round slings.

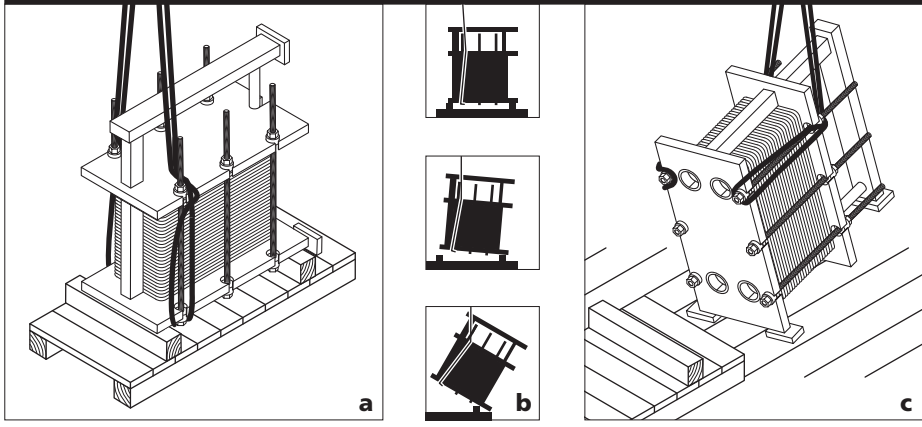
! ATTENTION



Damage to connection nozzles!
Never attach slinging equipment to the connection nozzles.

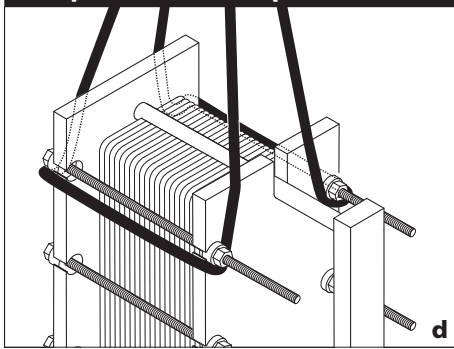
Damage to the heat exchanger plates!
Never transport the PHE using a lift-truck.
Always transport the PHE suspended.

Setting up the PHE



- Use two undamaged round slings of sufficient strength.
1. Place the round slings around both top pairs of tensioning nuts of the PHE **[a]** and attach these to the crane hook.
 2. Tilt the PHE through its centre of gravity **[b]** using lifting gear.
 3. Lower the PHE slowly to the floor **[c]** and set down in the correct position.

Suspended transport of the PHE



- Attaching the round slings**
1. Attach a round sling of sufficient length or two round slings of equal length around the **top outer pairs of tensioning nuts [d]** on both sides of the PHE.

- Lifting**
2. Lift the PHE slowly, until the round slings are equally tensioned and the PHE is suspended almost horizontally.

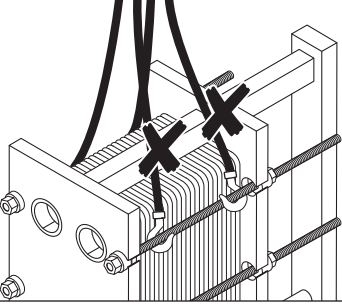
- Lowering**
3. Lower the PHE slowly to prevent any impact when it is set down.



GEA Heat Exchangers
 GEA Ecoflex GmbH
 Karl-Schiller-Straße 1-3 · 31157 Sarstedt · Germany
 Phone +49 5066 601-0 · Fax +49 5066 601-104
 info@gea-ecoflex.com · www.gea-phe.com

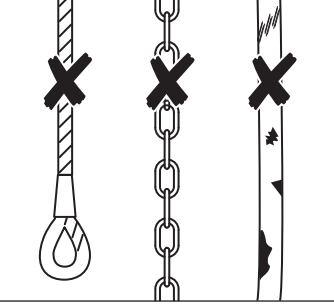
Instructions for transport and setting up of gasketed plate heat exchangers (PHE)

! DANGER



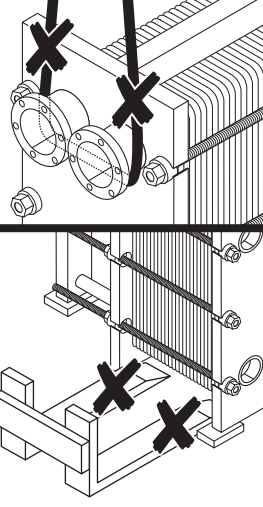
Danger to life if the load slips!
Always transport the PHE horizontally.
Never transport the PHE using the tensioning bolts.

! DANGER



Danger to life if incorrect slinging equipment is used!
Never use steel hawsers or chains.
Use only undamaged round slings.

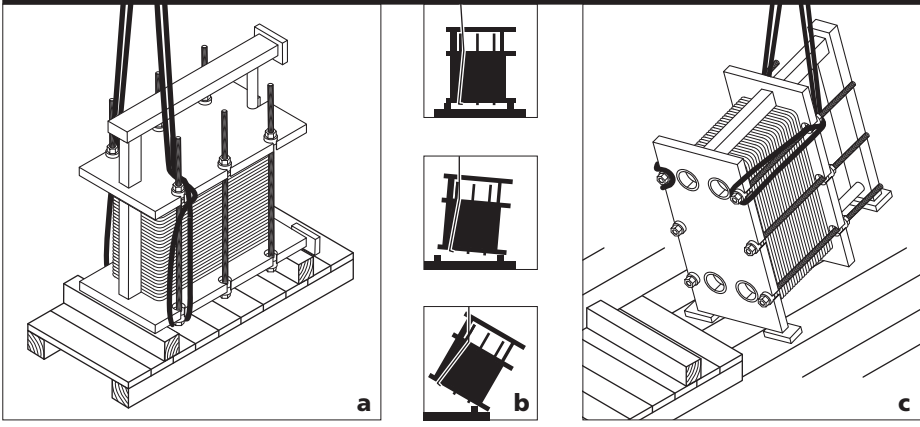
! ATTENTION



Damage to connection nozzles!
Never attach slinging equipment to the connection nozzles.

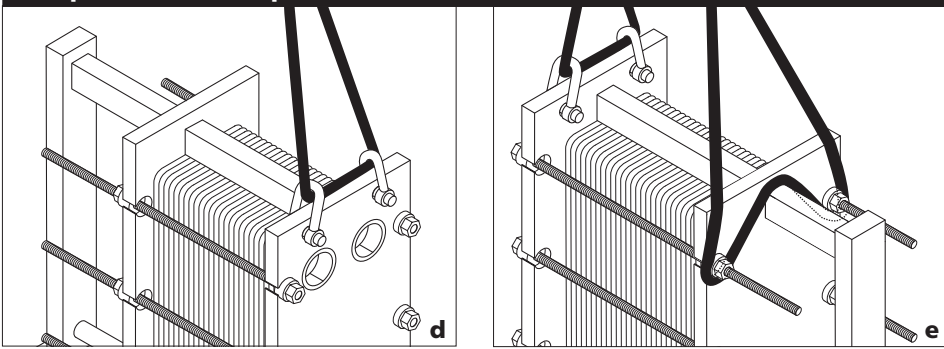
Damage to the heat exchanger plates!
Never transport the PHE using a lift-truck.
Always transport the PHE suspended.

Setting up the PHE



- Use two undamaged round slings of sufficient strength.
1. Place the round slings around both top pairs of tensioning nuts of the PHE [a] and attach these to the crane hook.
 2. Tilt the PHE through its centre of gravity [b] using lifting gear.
 3. Lower the PHE slowly to the floor [c] and set down in the correct position.

Suspended transport of the PHE



- Lifting**
3. Lift the PHE slowly, until the round slings are equally tensioned and the PHE is suspended almost horizontally.
- Absenken**
4. Lower the PHE slowly to prevent any impact when it is set down.

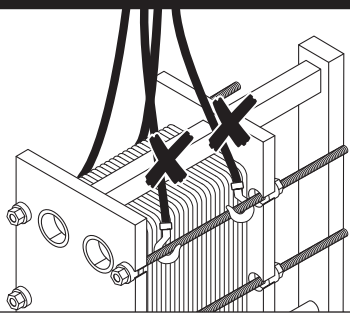
1. Attach a round sling to both **shackle holes** in the fixed plate [d] with shackles.
2. Attach another round sling above the **beam** and around the **top outer pairs of tensioning nuts** [e] on the removable plate.
► **Please note:** When two round slings are used, these must be of different lengths!



GEA Heat Exchangers
 GEA Ecoflex GmbH
 Karl-Schiller-Straße 1-3 · 31157 Sarstedt · Germany
 Phone +49 5066 601-0 · Fax +49 5066 601-104
 info@gea-ecoflex.com · www.gea-phe.com

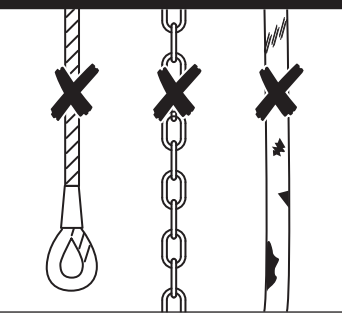
Instructions for transport and setting up of gasketed plate heat exchangers (PHE)

! DANGER



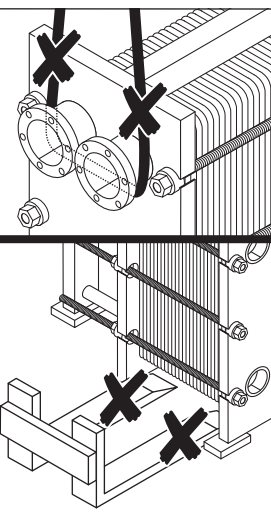
Danger to life if the load slips!
Always transport the PHE horizontally.
Never transport the PHE using the tensioning bolts.

! DANGER



Danger to life if incorrect slinging equipment is used!
Never use steel hawsers or chains when setting up the PHE. Use only undamaged round slings.

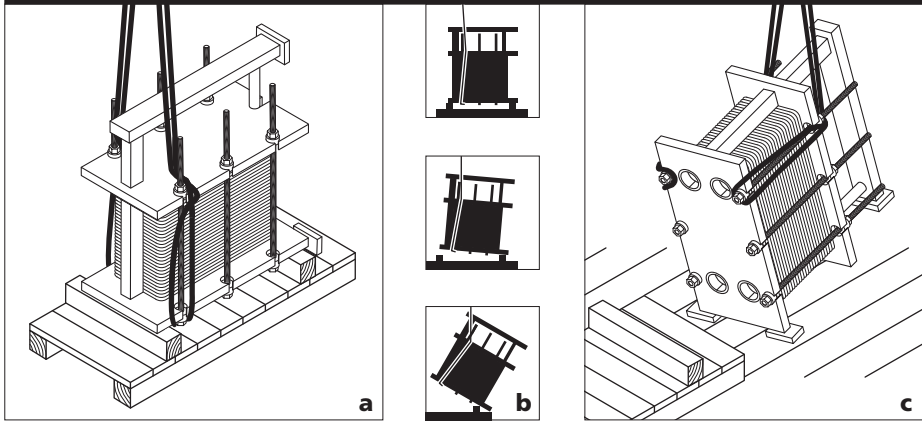
! ATTENTION



Damage to connection nozzles!
Never attach slinging equipment to the connection nozzles.

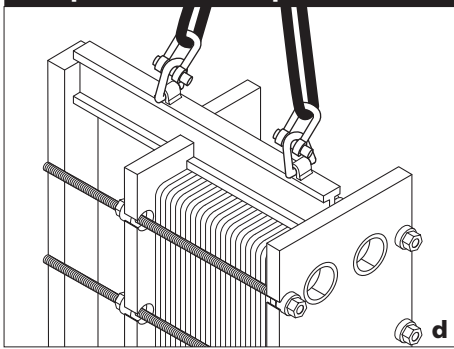
Damage to the heat exchanger plates!
Never transport the PHE using a lift-truck. Always transport the PHE suspended.

Setting up the PHE



- Use two undamaged round slings of sufficient strength.
1. Place the round slings around both top pairs of tensioning nuts of the PHE **[a]** and attach these to the crane hook.
 2. Tilt the PHE through its centre of gravity **[b]** using lifting gear.
 3. Lower the PHE slowly to the floor **[c]** and set down in the correct position.

Suspended transport of the PHE



- Attaching the sling gears**
1. Attach a round sling to each **transport lug [d]**, using shackles. (Chains and steel hawsers are allowed only if these have no direct contact with the PHE. Otherwise the PHE may be damaged.)

- Lifting**
2. Lift the PHE slowly, until the round slings are equally tensioned and the PHE is suspended almost horizontally.

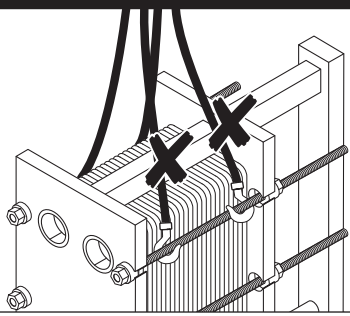
- Lowering**
3. Lower the PHE slowly to prevent any impact when it is set down.



GEA Heat Exchangers
 GEA Ecoflex GmbH
 Karl-Schiller-Straße 1-3 · 31157 Sarstedt · Germany
 Phone +49 5066 601-0 · Fax +49 5066 601-104
 info@gea-ecoflex.com · www.gea-phe.com

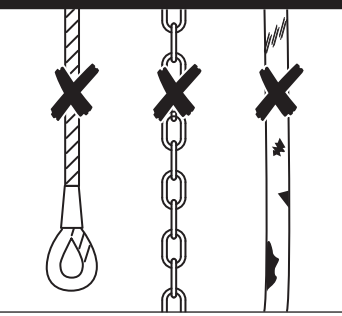
Instructions for transport and setting up of gasketed plate heat exchangers (PHE)

! DANGER



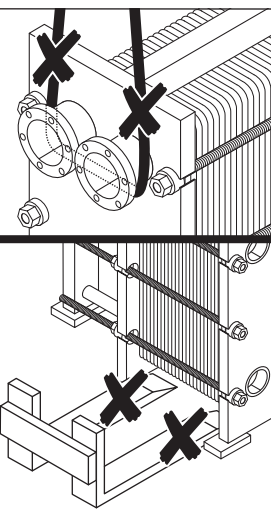
Danger to life if the load slips!
Always transport the PHE horizontally.
Never transport the PHE using the tensioning bolts.

! DANGER



Danger to life if incorrect slinging equipment is used!
Never use steel hawsers or chains when setting up the PHE. Use only undamaged round slings.

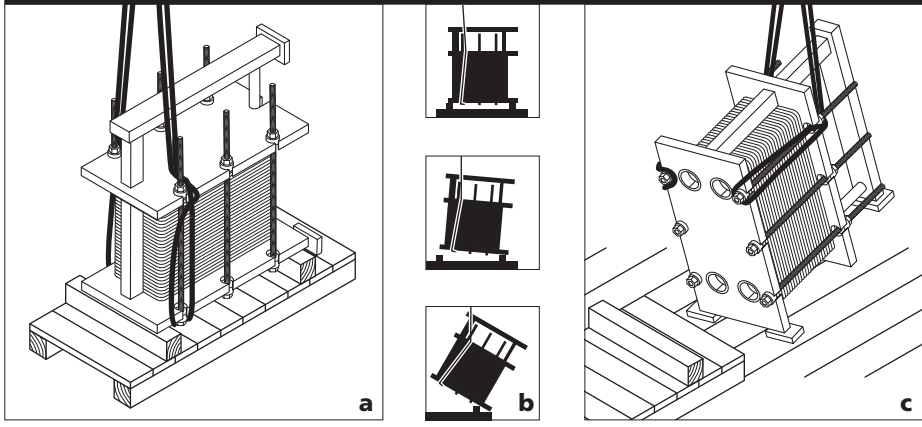
! ATTENTION



Damage to connection nozzles!
Never attach slinging equipment to the connection nozzles.

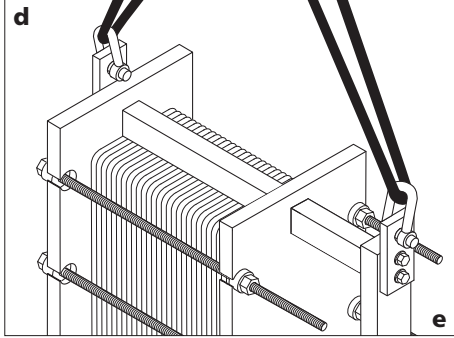
Damage to the heat exchanger plates!
Never transport the PHE using a lift-truck. Always transport the PHE suspended.

Setting up the PHE



- Use two undamaged round slings of sufficient strength.
1. Place the round slings around both top pairs of tensioning nuts of the PHE **[a]** and attach these to the crane hook.
 2. Tilt the PHE through its centre of gravity **[b]** using lifting gear.
 3. Lower the PHE slowly to the floor **[c]** and set down in the correct position.

Suspended transport of the PHE



- Attaching the round slings**
1. Attach a round sling to the **hole in the plate** that is bolted to the **fixed plate [d]**, using a shackle. (Chains and steel hawsers are allowed only if these have no direct contact with the PHE. Otherwise the PHE may be damaged.)
 2. Attach another round sling to the **hole in the plate** that is bolted to the **strut [e]**, using a shackle.
► **Please note:**
When two round slings (chains or steel hawsers) are used, these must be of different lengths!

- Lifting**
3. Lift the PHE slowly, until the round slings are equally tensioned and the PHE is suspended almost horizontally.
- Lowering**
4. Lower the PHE slowly to prevent any impact when it is set down.

